



ICCI E⁴ Precommissioning Cleaning Services:
EXPERT. EXPERIENCED. EFFICIENT. EFFECTIVE.

STEAM BLOW RENTAL SYSTEMS

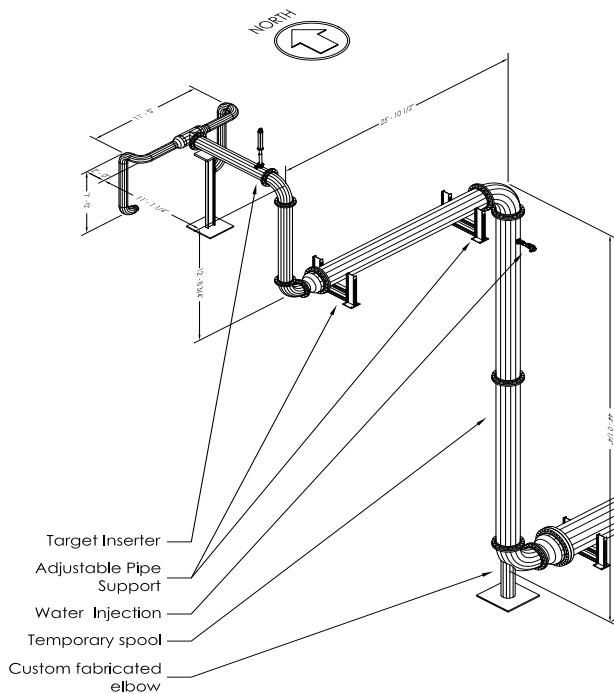


**GET THE PROVEN PERFORMANCE YOU NEED, PRECISELY
WHEN YOU NEED IT, WITH THE MOST COMPREHENSIVE AND
CAPABLE STEAM-BLOW SYSTEMS AVAILABLE FOR RENT.**

ICCI steam-blow rental systems are integrated components proven to work together, backed by experts who ensure the optimum configuration for your application.

APPLICATIONS

- New-build steam systems and additions to existing systems.
- Industrial steam users such as refineries, petrochemical plants, power plants.
- Small power plants (often located in large public buildings such as hospitals and schools).
- Marine vessels with steam systems large enough to require steam blows for cleaning.
- Where rotating equipment is present. Cleanliness specifications are much more stringent, and testing is essential for proving successful results.



ADVANTAGES

Up-to-date technology. Get the same equipment ICCI uses on turnkey projects, with refinements made from years of real-world experience, for the price of a daily rental.

Pipework and silencers are ready to go. They are designed and fabricated to the highest standards, including the latest innovations. Free your capital and engineering man-hours for your core business.

Custom spool fabrication, with short lead times. For common applications, we have the required pipe in inventory. But, if a special length or configuration is needed, our experienced team can quickly produce it. If plans change at critical times, this flexibility can save you time and money.

Traceable, high-quality piping. ICCI meets or exceeds the highest standards for temporary steam piping. All temporary pipe spools fabricated for ICCI use are fabricated to ASME B31.3; purchased with Material Test Reports; welded with a third-party verified weld map; and tracked by our unique tagging system.

Quick-Deploy All-Metal Adjustable Supports. Our 100% fireproof supports allow you to assemble and use temporary piping faster, with more flexibility.

Quick-Deploy Quench Water Injection System. Install and remove hoses, valves, and connection points onto temporary piping quickly, easily, and with fewer resources.

Pneumatic high-quality target inserters. Test steam-blow cleanliness reliably and efficiently. Testing can be done on all pipe diameters. Our system simplifies target insertion and removal, and eliminates sticking risk.

Systems for projects of any size. ICCI systems are scalable; you don't have to incur the cost to rent more than you need for your particular project. ICCI experts can tailor a system that fits your specific needs.

ADDITIONAL INFORMATION

Lead times for ICCI rental systems are short. ICCI delivers most rental systems within 24 hours of contract approval. Consultation requirements can add to this time, of course, but because of our extensive experience across a wide range of applications, this is usually minimal.

For many projects, steam-blow equipment rental can be the most cost-effective choice. ICCI can help you evaluate your options. If you choose to rent, expert consulting on systems applications and operations is available.

Choosing E⁴ rental systems from ICCI is your best assurance of an efficient, effective, on-schedule, steam-blow project. Contact us today for more information and to schedule delivery of the system you need, when you need it.



714 Highway 3, La Marque, TX, 77568

1.833.873.4224 (1.833.USE.ICCI)

sales@useicci.com @ useicci.com

Precommissioning Cleaning Done Right